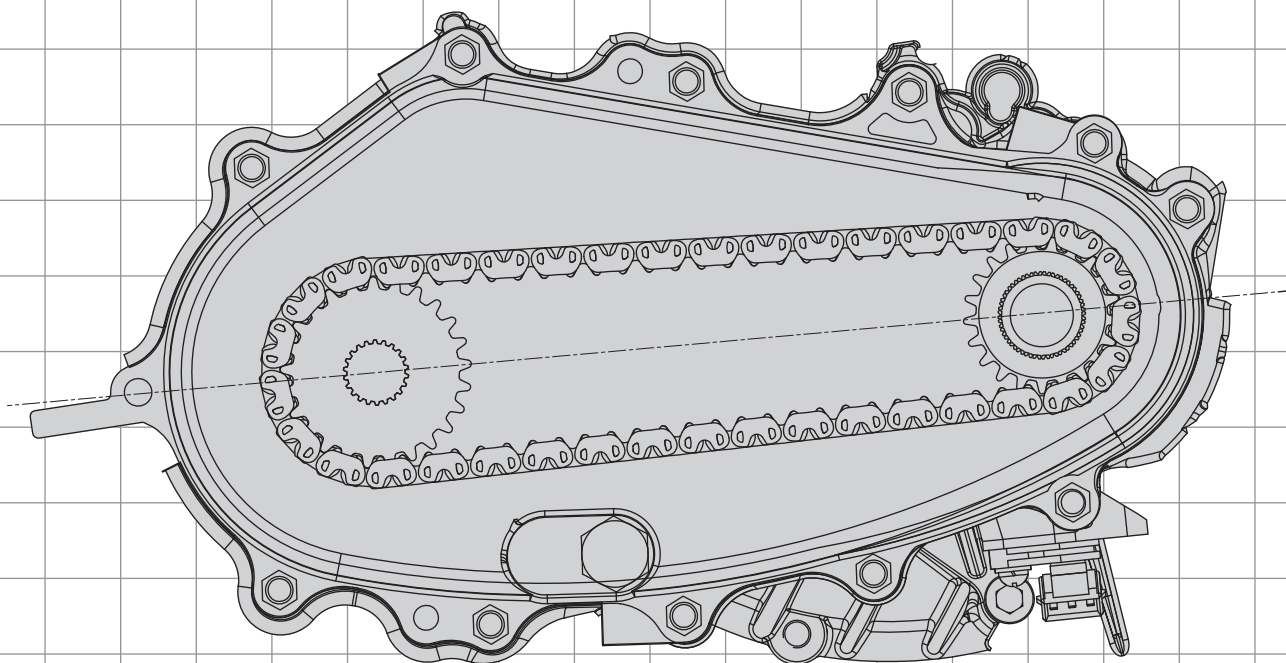


变速箱/分动箱静音链 Transmission & Transfer case silent chains

汽车链/摩托车链 AUTOMOBILE CHAINS & MOTORCYCLE CHAINS



圆销式静音链
Round pin type silent chains

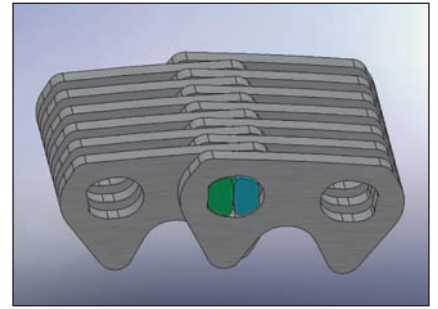


滚销式静音链
Rocker joint type silent chains

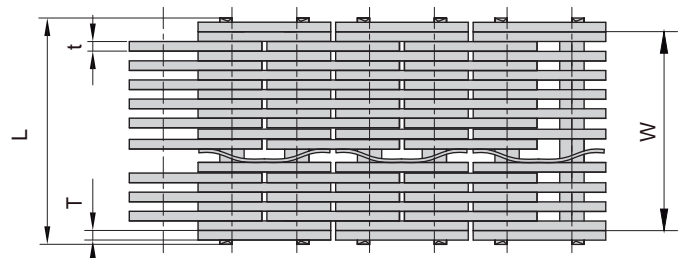
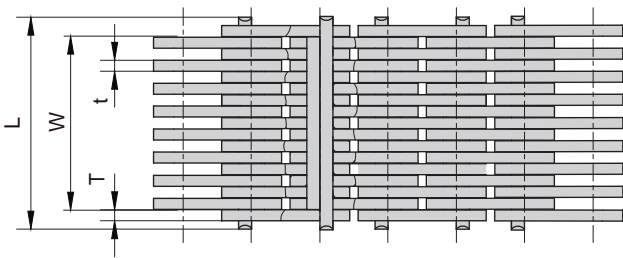
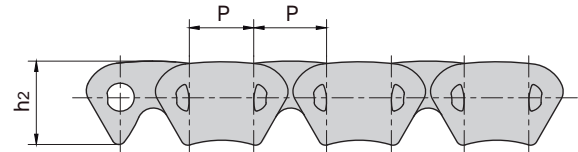
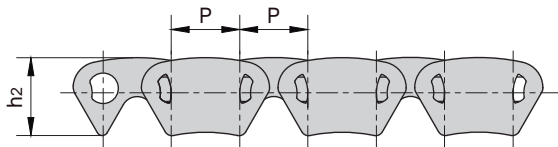
滚销式静音链

Rocker joint type silent chains

滚销式静音链主要用于四轮驱动分动箱和变速箱驱动系统，是驱动系统的核心部件。滚销式静音链设计采用了特殊的双滚销啮合理论，其结构不同于普通的圆销式静音链，达到降低多边形效应和噪声，具备高强度、高耐磨和传递大扭矩等多种工况使用的优越性能。Rocker joint type silent chain is mainly used for four-wheel drive transfer case and gearbox drive system, which is the core component of the drive system. Special rocker joint pin dual-meshing design makes its structure different from the ordinary round pin type silent chain and thus reducing the polygon effect and noise effectively. This chain has superior performances such as high strength, high wear resistance and transmission of high torque in many conditions etc..



滚销式静音链
Rocker joint type silent chains



东华链号 Donghua Chain No.	节距	链宽	销轴长度	链板高度	链板厚度		导向型式 Guide type	片数 Number of plate	极限拉伸载荷 Ultimate tensile strength	每米长重 Weight per meter
	Pitch	Width Between Guides	Pin length	Plate depth	Plate thickness	Plate thickness				
	P	W	L max	h2 max	t	T				
	mm	mm	mm	mm	mm	mm		n	Q min kN/lbf	q kg/m
HV3F3-8x9W	9.525	23.25	29.20	10.90	1.55	1.55	(外)Outside	17(8X9)	36/8096	1.5
SC180	11.113	31.41	36.33	13.52	1.55	1.55	(外)Outside	21(9X12)	72/16193	2.4